

# METEOR 500B

## METEOR 500B

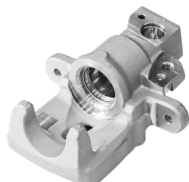
### 4-axis, horizontal machining center

Meteor 500B is a 4-axis horizontal machining center. Thanks to the special frame construction, light weight and maximum rigidity could be achieved at the same time. For the customers looking for short cycle times and loading/unloading times, the machine can optionally be equipped with a pallet changer.

#### YOUR ADVANTAGES

- Specially designed for easy use of pallets
- Automatic pallet changer increases your productivity
- Small installation area reduces floor space required
- Efficient drives reduce your energy costs

#### TYPICAL PARTS



#### REFERENCES



**Tool changer**

Automatic disc tool changer

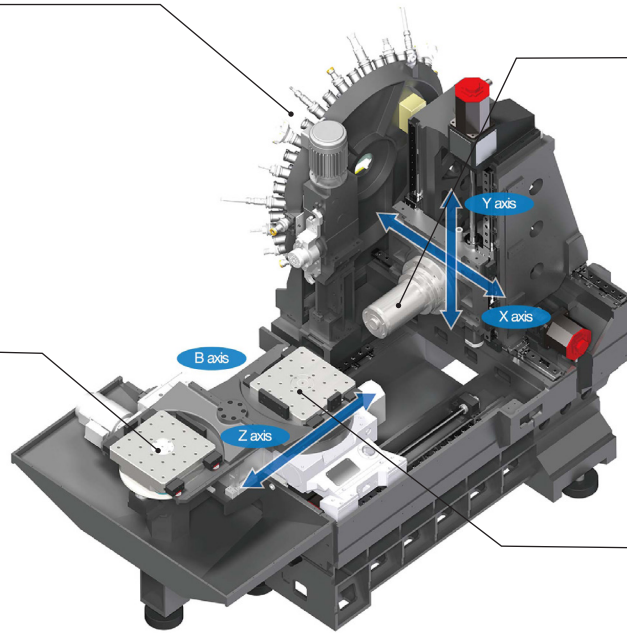
Magazine capacity: 40 (optional 60)

Chip-to-chip time: 3.4 s at 10.000 rpm

**Automatic pallet changer**

(optional)

Change time 7 s



**Spindle**

30kW spindle

HSK63-A

up to 18000 rpm

Max. tool- $\phi$ : 170mm

Max. tool length: 550mm

**Pallet**

500 x 500mm

part max.  $\phi$  800 x 1000mm

		Meteor 500B-P	Meteor 630B-P	
<b>number of axes</b>	number of axes	4	4	
<b>spindles</b>	number of spindles	1	1	piece
<b>working range</b>	X-axis	730	800	mm
	Y-axis	730	830	mm
	Z-axis	830	830	mm
<b>max. part size</b>	X/Y/Z	$\phi$ 800 x 1000	$\phi$ 900 x 1000	mm
<b>feed rate</b>	acceleration [X/Y/Z]	9.8/9.8/9.8	7/9/7	m/s <sup>2</sup>
	max. speed [X/Y/Z]	60/60/60	80/80/80	m/min
<b>accuracy</b>	positioning accuracy acc. VDI 3441/2617	0.006	0.006	mm
	repeatability acc. VDI 3441/2617	0.002	0.002	mm
<b>spindle</b>	speed	0-18000	0-18000	rpm
	power [S1/S6]	30/50	30/50	kW
	torque [S1/S6]	45/80	45/80	Nm
<b>tool magazine</b>	tool holder	HSK63-A	HSK63-A	
	tool capacity*	40	40	piece
	max. tool diameter	170	170	mm
	tool length	550	550	mm
	tool weight*	8	8	kg
<b>parts and clamping dimension</b>	chip-to-chip time at 10.000 rpm	3.6	3.9	s
	rotations diameter	800	900	mm
	length	1000	1000	mm
	max. load on B*	700	1200	kg
	automatic pallet changer - change time	14	14	s
<b>weight/dimensions</b>	weight	11700	11700	kg
	dimension LxWxH	4885 x 2290 x 2985	6770x2490x2985	mm
<b>connected load</b>	operating voltage	3 x 400	3x400	Volt
	total connected load	55	55	kVA
<b>NC control</b>	Fanuc control*	31i-B	31i-B	
<b>* options available</b>				
<b>options</b>	tool capacity	60	60	piece
	tool weight	12	12	kg
	Siemens	Sinumerik 840 D SL	Sinumerik 840 D SL	