

METEOR 500B

METEOR 500B

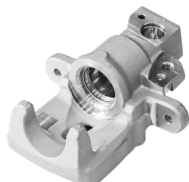
4-axis, horizontal machining center

Meteor 500B is a 4-axis horizontal machining center. Thanks to the special frame construction, light weight and maximum rigidity could be achieved at the same time. For the customers looking for short cycle times and loading/unloading times, the machine can optionally be equipped with a pallet changer.

YOUR ADVANTAGES

- Specially designed for easy use of pallets
- Automatic pallet changer increases your productivity
- Small installation area reduces floor space required
- Efficient drives reduce your energy costs

TYPICAL PARTS



REFERENCES



Tool changer

Automatic disc tool changer

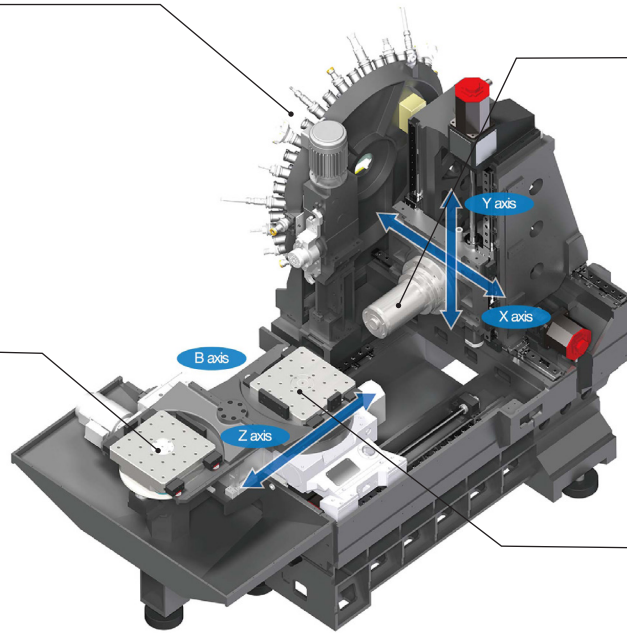
Magazine capacity: 40 (optional 60)

Chip-to-chip time: 3.4 s at 10.000 rpm

Automatic pallet changer

(optional)

Change time 7 s



Spindle

30kW spindle

HSK63-A

up to 18000 rpm

Max. tool- ϕ : 170mm

Max. tool length: 550mm

Pallet

500 x 500mm

part max. ϕ 800 x 1000mm

		Meteor 500B-P	Meteor 630B-P	
number of axes	number of axes	4	4	
spindles	number of spindles	1	1	piece
working range	X-axis	730	800	mm
	Y-axis	730	830	mm
	Z-axis	830	830	mm
max. part size	X/Y/Z	ϕ 800 x 1000	ϕ 900 x 1000	mm
feed rate	acceleration [X/Y/Z]	9.8/9.8/9.8	7/9/7	m/s ²
	max. speed [X/Y/Z]	60/60/60	80/80/80	m/min
accuracy	positioning accuracy acc. VDI 3441/2617	0.006	0.006	mm
	repeatability acc. VDI 3441/2617	0.002	0.002	mm
spindle	speed	0-18000	0-18000	rpm
	power [S1/S6]	30/50	30/50	kW
	torque [S1/S6]	45/80	45/80	Nm
tool magazine	tool holder	HSK63-A	HSK63-A	
	tool capacity*	40	40	piece
	max. tool diameter	170	170	mm
	tool length	550	550	mm
	tool weight*	8	8	kg
parts and clamping dimension	chip-to-chip time at 10.000 rpm	3.6	3.9	s
	rotations diameter	800	900	mm
	length	1000	1000	mm
	max. load on B*	700	1200	kg
	automatic pallet changer - change time	14	14	s
weight/dimensions	weight	11700	11700	kg
	dimension LxWxH	4885 x 2290 x 2985	6770x2490x2985	mm
connected load	operating voltage	3 x 400	3x400	Volt
	total connected load	55	55	kVA
NC control	Fanuc control*	31i-B	31i-B	
* options available				
options	tool capacity	60	60	piece
	tool weight	12	12	kg
	Siemens	Sinumerik 840 D SL	Sinumerik 840 D SL	